

- Dynamically Balance to 2500 RPM
- 95% Alumina
- Replaceable Rings
- Press Fit Bearings



**Aluminum  
Flanged**

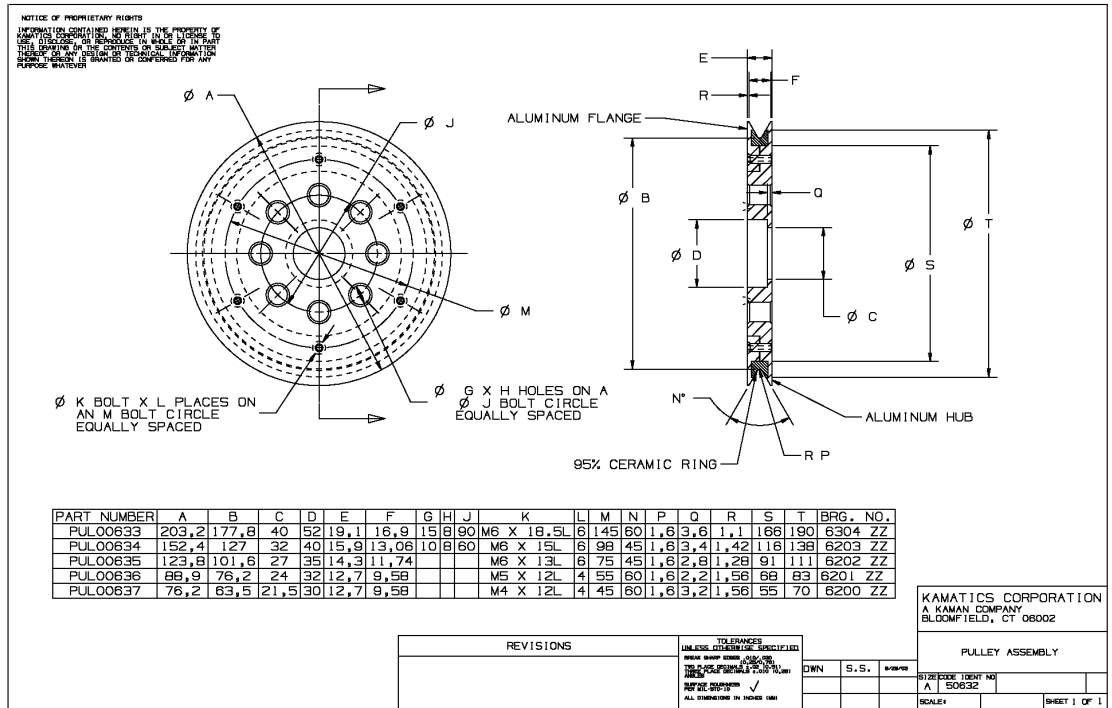


**Plastic Flanged**  
- Light Weight

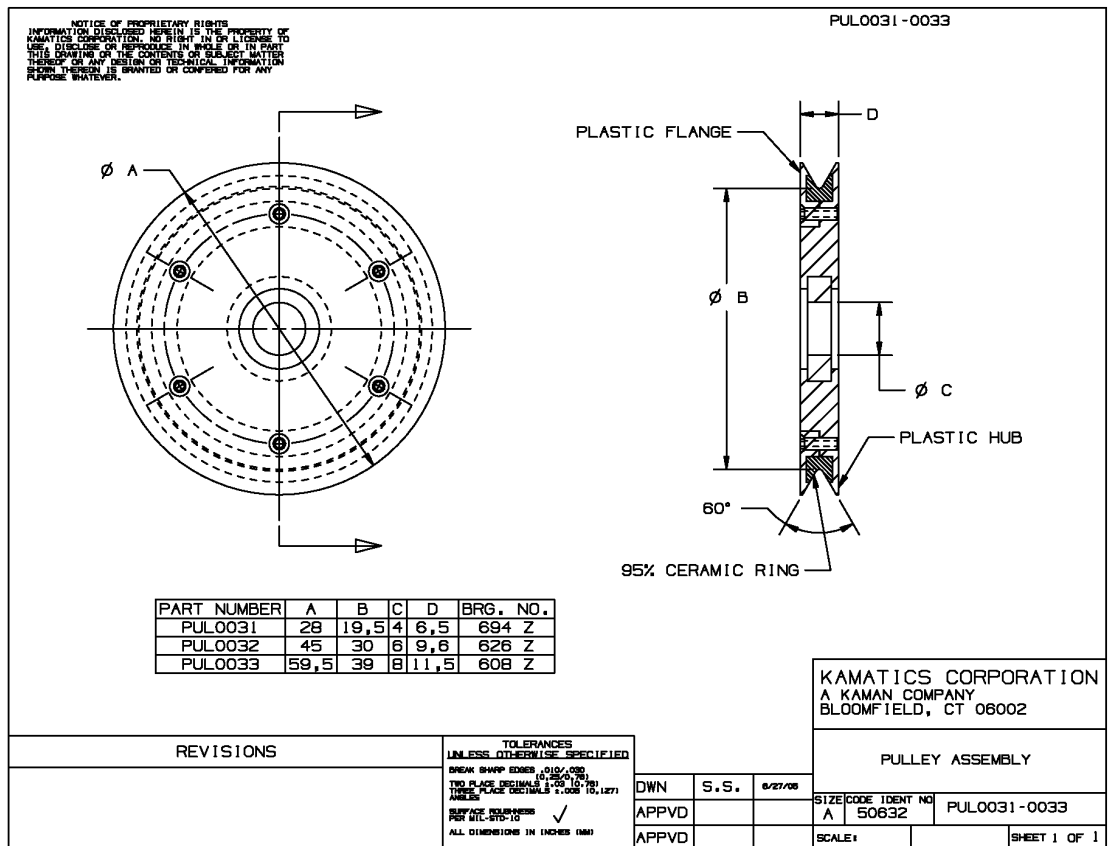


**Ceramic Pulleys**  
Products of **KEIR Manufacturing, Inc.**

# Aluminum Flange



# Plastic Flange



Other sizes available upon request.

Address inquiries to:  
**KEIR Manufacturing, Inc**  
 133 McLean Road  
 Brevard, NC 28712  
 Phone: 828-885-8444  
 Toll Free: 800-992-2402  
 Fax: 828-884-7494  
 Email: [Sales@KEIRmfg.com](mailto:Sales@KEIRmfg.com)  
 Website: [www.KEIRmfg.com](http://www.KEIRmfg.com)

