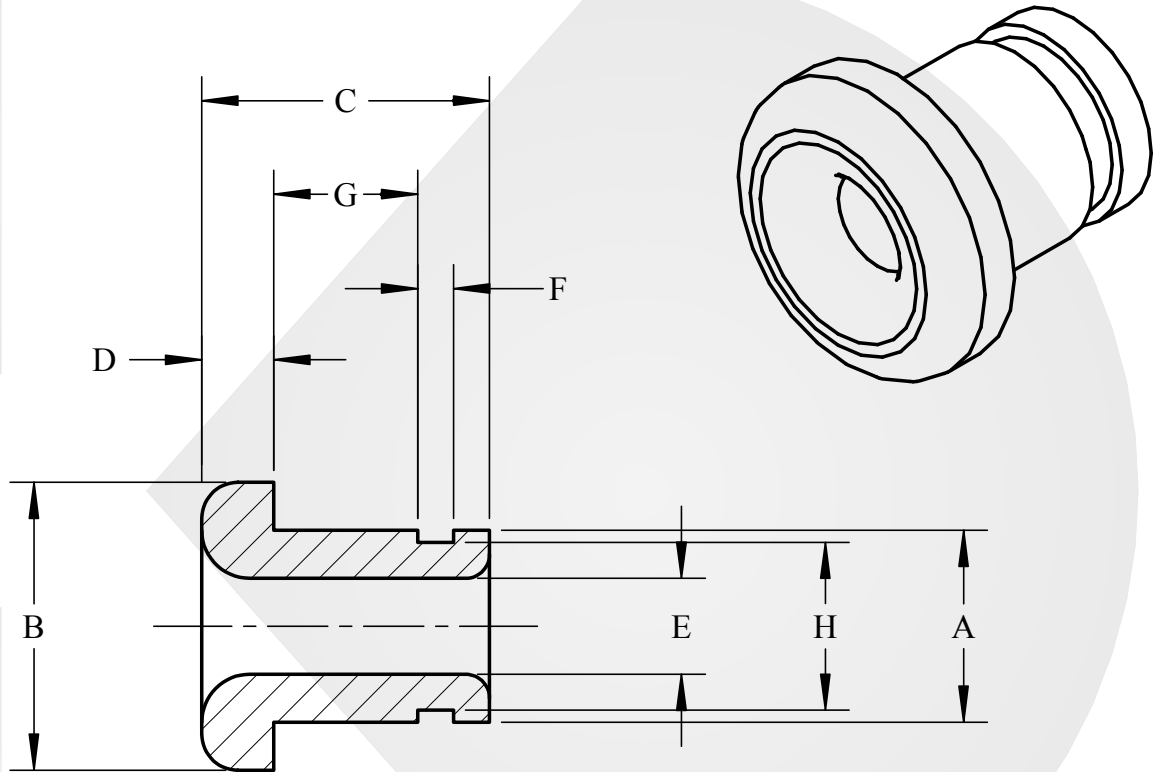
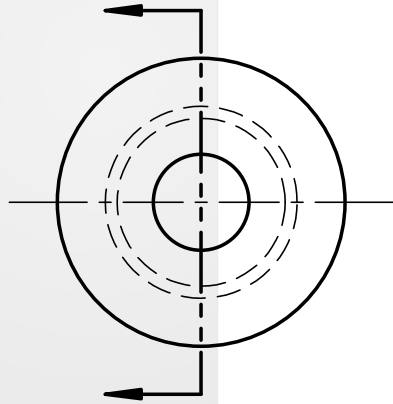


Dimension	Size
A	
B	
C	
D	
E	
F	
G	
H	

Material (Please Check): White Alumina Pink Alumina Titania Titania-Conductive

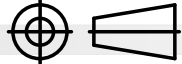


KEIR Manufacturing, Inc.
 133 McLean Road
 Brevard, NC 28712-9451
 Tel: (828) 883-2310

Eyelet

12-Series Eyelet

THIRD ANGLE PROJECTION



Unless Otherwise Specified:
 All Tolerances ± 0.010
 Break All Sharp Edges

MAT'L: CERAMIC

SCALE: Not To Scale

REF:

DRN: JSH

DATE: 10/03/08

CHK:

DRG:



“Ceramics Made for Life”

Specification Components

A = Minor Outer Diameter

B = Major Outer Diameter

C = Overall length

D = Feature Thickness (flange)

E = Inner Diameter

F = Feature Width (groove)

G = Feather Length (Feature to groove on 12 series)

H = Depth of Groove (Diameter of bottom of groove)

Instructions for working with Electronic PDF forms.

Step 1) Fill out all the text fields in the electronic pdf form and save to your desktop

Step 2) Create email to KEIR and attach completed electronic pdf form that you saved to your desktop

Step 3) Email it to Sales@KEIRmfg.com