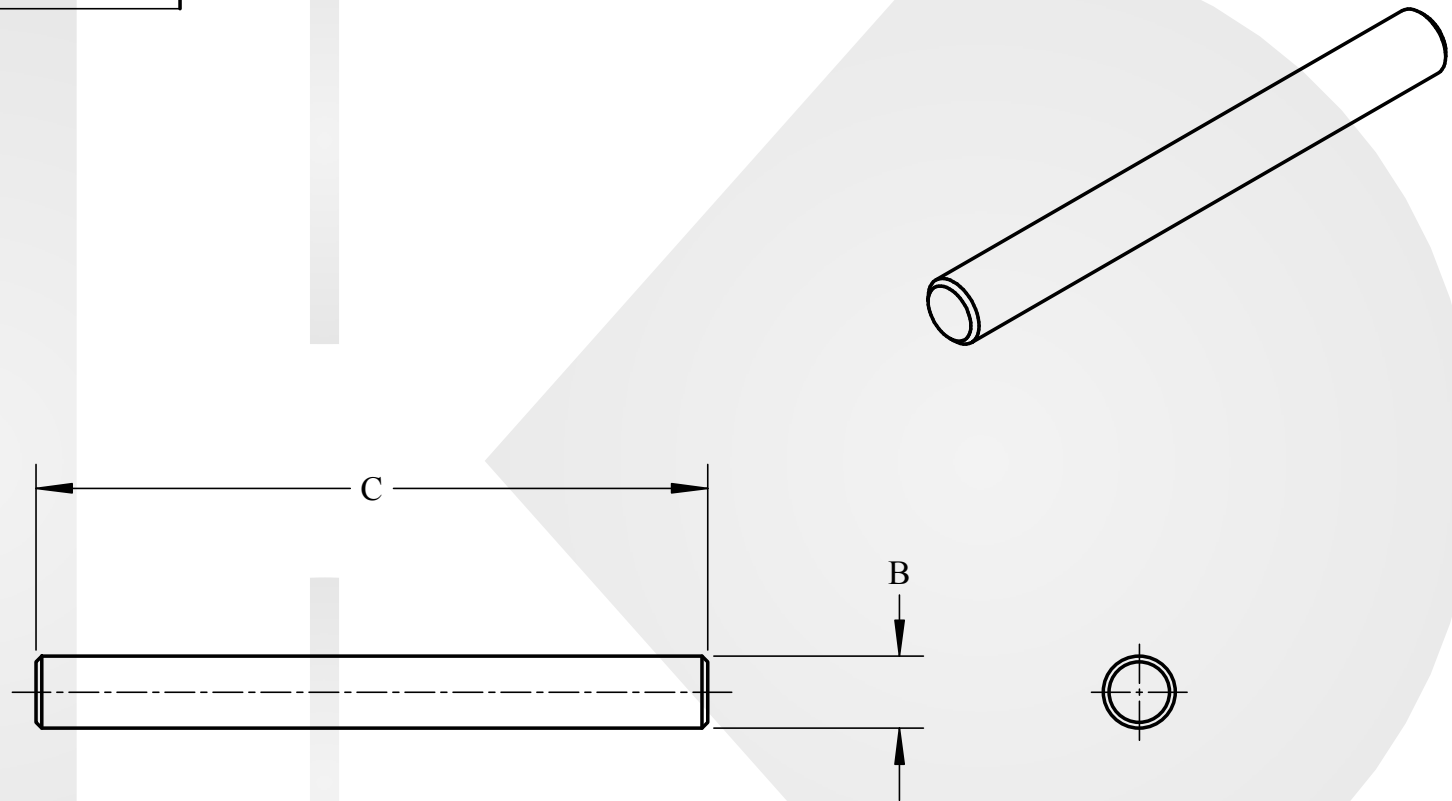


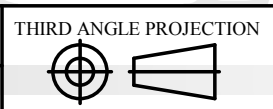
Dimension	Size
B	
C	

Material (Please Check): White Alumina Pink Alumina Titania Titania-Conductive



KEIR Manufacturing, Inc.
 133 McLean Road
 Brevard, NC 28712-9451
 Tel: (828) 883-2310

Rod/ Pin
56 - Series



LENGTH TOLERANCE $\pm 1.5\%$
 NOT LESS THAN ± 0.010

MAT'L: CERAMIC

A scale bar indicating a length of 1 inch.

SCALE: 1:1
 DRN: JSH
 CHK:

REF:
 DATE: 11/17/08
 DRG:



“Ceramics Made for Life”

Specification Components

A = Minor Outer Diameter

B = Major Outer Diameter

C = Overall length

D = Feature Thickness (flange)

E = Inner Diameter

F = Feature Width (groove)

G = Feather Length (Feature to groove on 12 series)

H = Depth of Groove (Diameter of bottom of groove)

Instructions for working with Electronic PDF forms.

Step 1) Fill out all the text fields in the electronic pdf form and save to your desktop

Step 2) Create email to KEIR and attach completed electronic pdf form that you saved to your desktop

3) Email it to Sales@KEIRmfg.com